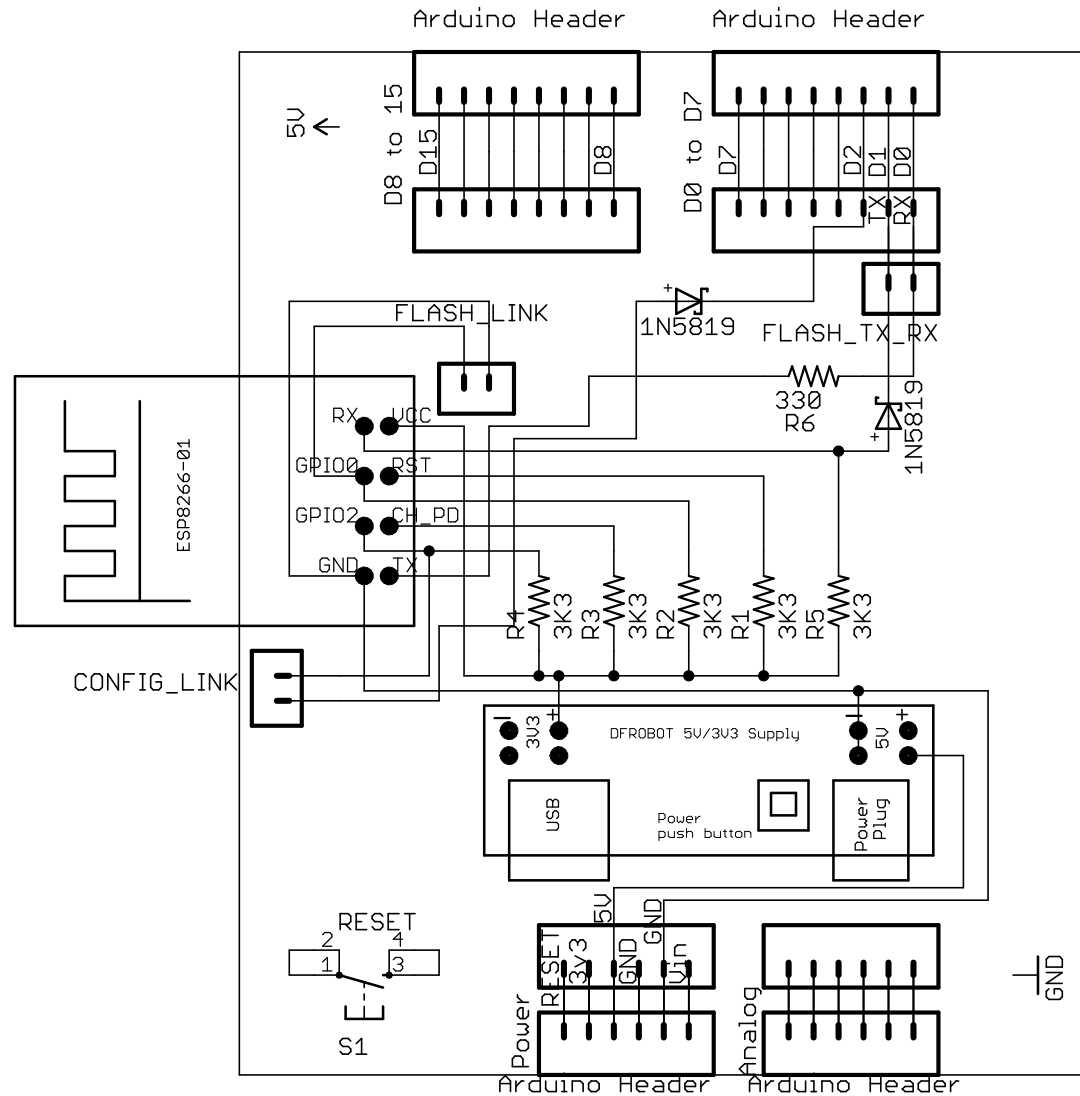


ESP8266-01 WiFi Shield



To Configure
Short Config Link and apply power
NOTE Arduino sketch needs to make
D2 Output LOW in setup()

To Flash -- Remove shield
Connect USB to Serial TX to Flash TX
and USB to Serial RX to Flash RX
Short Flash Link and apply USB power
to 5V/3V3 supply, use push button to turn on.

(c)2015 Forward Computing and Control Pty. Ltd.

www.pfod.com.au