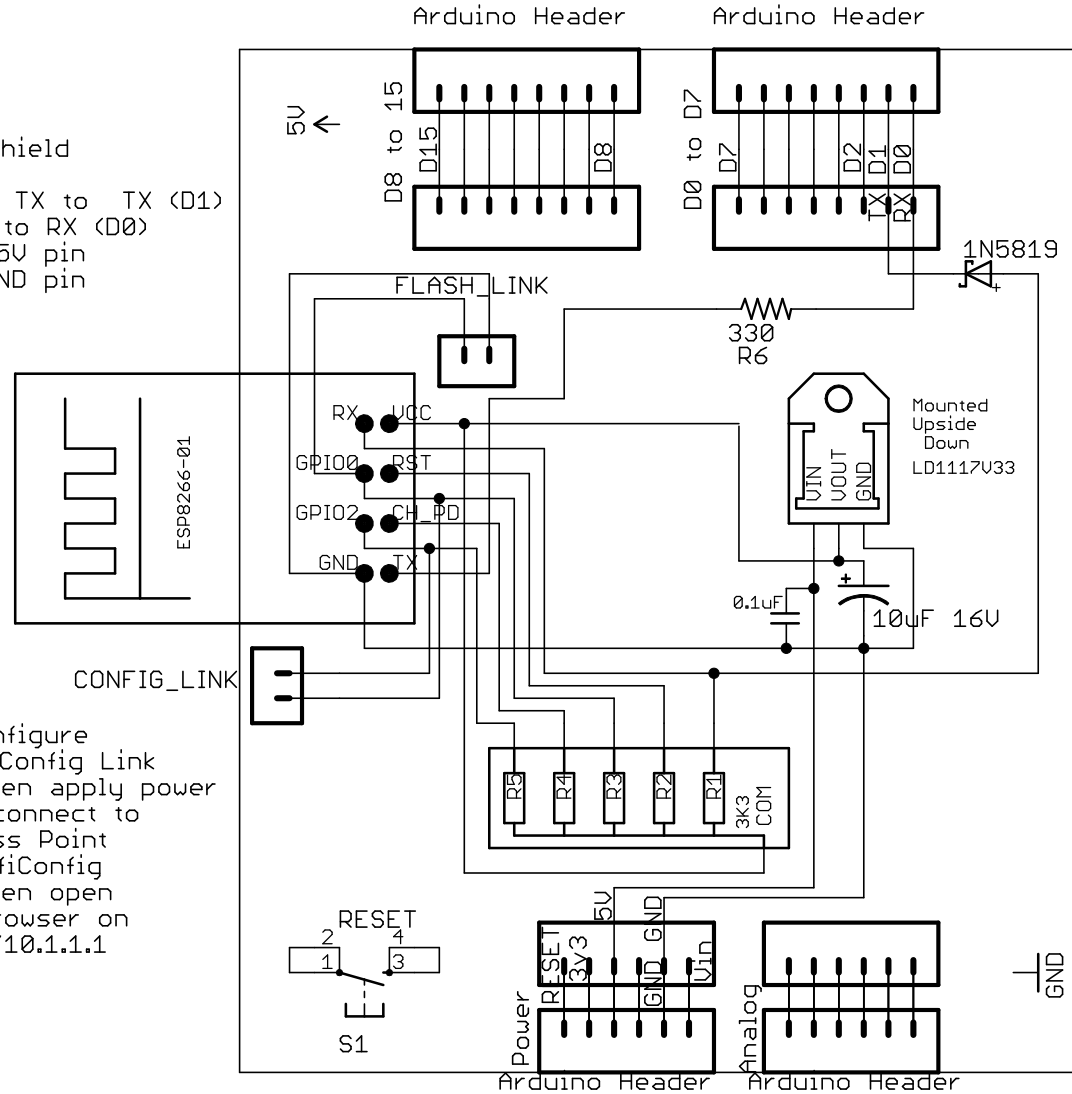


ESP8266-01 WiFi Shield - Rev 2

To Flash -- Remove shield
 Short Flash Link
 Connect USB_to_Serial TX to TX (D1)
 and USB_to_Serial RX to RX (D0)
 Connect USB +5V to 5V pin
 Connect USB GND to GND pin

To Configure
 Short Config Link
 and then apply power
 Then connect to
 Access Point
 pfodWifiConfig
 and then open
 web browser on
<http://10.1.1.1>



(c)2015 Forward Computing and Control Pty. Ltd.

www.pfod.com.au